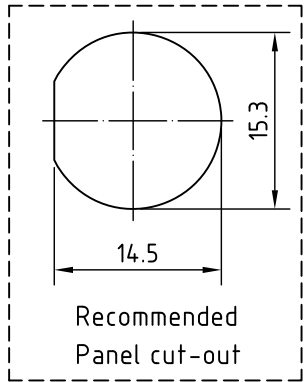
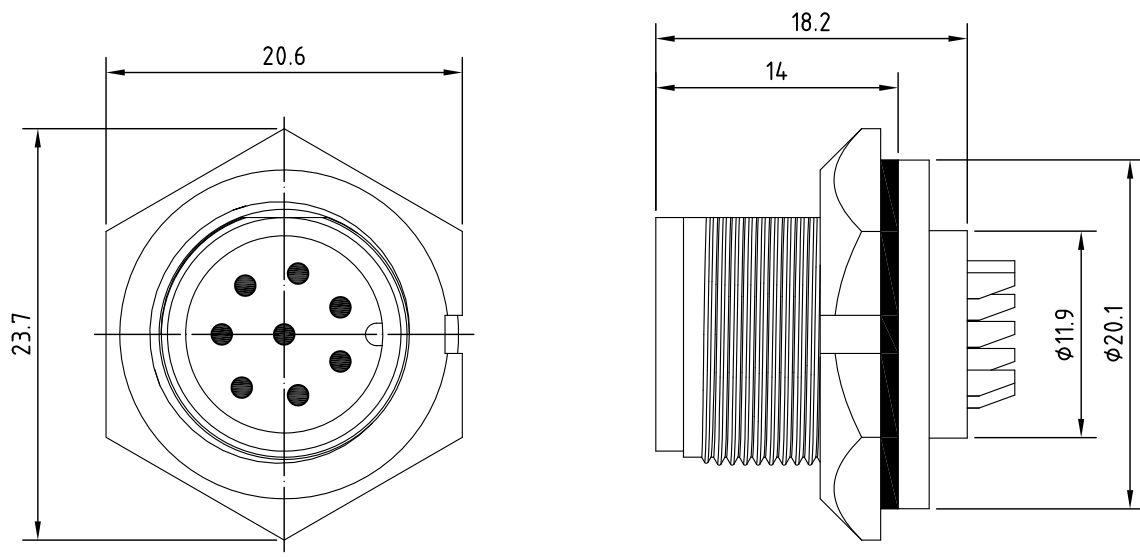


REV.	Description	Date
1	upgrade drawing	2015/6/10



### Specification of connector

- General Characteristics
- Locking system : screw
  - Termination : solder
  - Shell protection : IP67
  - Contact resistance :  $\leq 10\text{m}\Omega$
  - Insulation resistance :  $\geq 10\text{M}\Omega$

RoHS  
TOLERANCE X $\pm$ 0.5 X.X $\pm$ 0.3

CONTACT ARRANGEMENT FRONT VIEW (MALE)	2P	3P	4P	5P	6P	7P	8P
Rated voltage	250V			125V			
Rated current	5A			5A			

Item	Description	Material	Treat & Remark
4	Nut	PA	
3	O ring	Rubber	
2	Body	PA	
1	Pin	Brass	Gold plated



**Unicable Co., Ltd. 國陽電業有限公司**  
5F., No. 111-33, Sec. 4, San Ho Road, San Chung City, Taiwan, R.O.C.  
<http://www.unicable.com.tw> TEL:+886-2-2286-2122 FAX:+886-2-2286-1010

DATE	2016/10/7	PART NO.	UT-SD210F-T-XP
DWN	GINA	REV.	1
CHK			
UNIT	MM		

ITEM	CIRCULAR CONNECTOR TYPE B
------	---------------------------